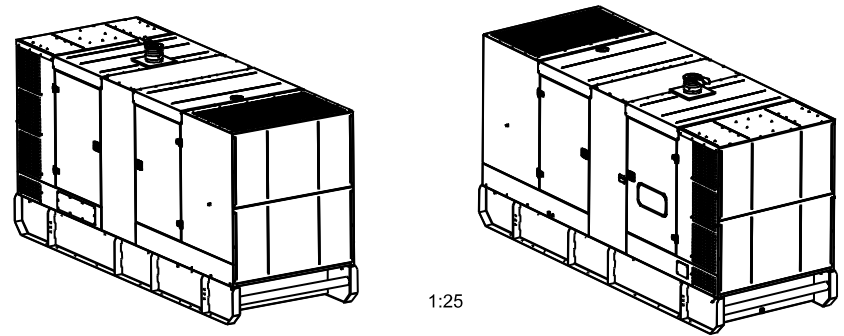


MOTEUR ENGINE	ALTERNATEUR ALTERNATOR	CHASSIS DB-WALL / DB-WALL FRAME			
		MASSE / WEIGHT (kg / lbs) +/- 5%		COG (mm / inch)	
		A vide / Dry	Odm / Wet	CG Horizontal	CG Vertical
DOOSAN DP180LA	KH02713T	6581 / 14508	8676 / 19127	3233 / 127	1095 / 43
	KH02954T	6663 / 14689	8758 / 19308	3226 / 127	1094 / 43
	KH03546T	6950 / 15322	9044 / 19938	3210 / 126	1093 / 43
DOOSAN DP180LB	KH02954T	6671 / 14707	8766 / 19325	3219 / 127	1096 / 43
	KH02713T	6589 / 14526	8684 / 19144	3226 / 127	1097 / 43
DOOSAN DP222LC	KH03546T	6898 / 15207	8993 / 19826	3192 / 126	1094 / 43
	KH02713T	7238 / 15957	9366 / 20648	3297 / 130	1080 / 43
KOHLER KD18L6	KH03546T	7850 / 17296	10090 / 22253	2800 / 110	847 / 33
	KH02970T	8020 / 17680	10270 / 22637	2800 / 110	857 / 34
VOLVO TAD1641GE	KH01983T	6560 / 14456	8770 / 19344	2920 / 115	930 / 37
	KH02215T	6670 / 14716	8890 / 19604	2940 / 116	930 / 37
	KH02713T	6810 / 15021	9030 / 19909	2960 / 117	930 / 37
VOLVO TAD1642GE	KH02215T	6670 / 14716	8890 / 19604	2940 / 116	930 / 37
	KH02713T	6810 / 15021	9030 / 19909	2960 / 117	930 / 37
	KH02954T	6890 / 15197	9110 / 20085	2960 / 117	930 / 37
VOLVO TWD1644GE	KH02954T	7280 / 16048	9600 / 21159	2930 / 115	950 / 38
	KH03546T	7500 / 16536	9820 / 21647	2960 / 117	950 / 38



- Voir folios suivants pour informations complémentaires
See following sheets for additional informations.

- Les noms des vues correspondent aux différentes faces du groupe électrogène
The names of the views correspond to the different sides of the generating set.

- Dimensions [Inch]

REV	DATE	DESCRIPTION	APPROUVE
01	10/01/2010	PROJET	...
02	10/01/2010
03	10/01/2010
04	10/01/2010
05	10/01/2010
06	10/01/2010
07	10/01/2010
08	10/01/2010
09	10/01/2010
10	10/01/2010
11	10/01/2010
12	10/01/2010
13	10/01/2010
14	10/01/2010
15	10/01/2010
16	10/01/2010

DO NOT SCALE
THE DIMENSIONS OF THIS DRAWING ARE GIVEN IN METRIC UNITS.
UNLESS OTHERWISE SPECIFIED.

KOHLER

PLAN GE-CP
E-PLAN-ENGINE-DWG
90011518601